



➔ **Product Type**
Miniature Rocker Switches

➔ **Product Series**
R-Series: Curvette

➔ **Description**

The R-Series Curvette single pole rocker switches are aesthetically pleasing miniature snap-in switches. Due to the patented mounting ear design, they are compatible with a wide range of standard panel cutouts. These switches are available in a range of momentary and maintained single throw or double throw circuits, terminations, and legend options. They are offered in a variety of rocker colors and styles, including our unique curved two-color molded Visi-Rocker® for low cost "ON" indication. They have a rated life of 50M cycles @ rated load.

Certifications

UL CSA VDE SEMKO DEMKO NEMKO FIMKO SEV BEAB

Number of Poles

1 pole

Ratings

10A 250 VAC
16A 125VAC
3/4HP 125-250VAC

8A 250VAC
12A 125VAC
1/2HP 125-250VAC

5A 277VAC
10A 125VAC
10A 30V
8A 14VT

10A 250VAC
16A 125VAC

10A 250VAC
16A 125VAC
10(4)A 250VAC_u T85

10A 250VAC
16A 125VAC
10(4)A 250VAC_u T85

10A 250 VAC
16A 125VAC
3/4HP 125-250VAC
10(4)A 250VAC_u T85

Dielectric Strength

1,000 V RMS (minimum)

Insulation Resistance

100 megohms (minimum)

Base Material

Nylon

Actuator Style

Momentary Rocker
Paddle
Solid Color Curvette Rocker
Two Color Visi-Rocker®

Actuator Material

Phenolic or Nylon

Terminal Options

.250 QC Tabs
Solder Lugs
Wire Leads

Mounting Method

Snap-In

Mounting Hole Dimensions

.480" x 1.072"; 12.19mm x 27.23mm

Value Added

Custom colors and legends available
Additional ratings available
Wire leads with connectors

R-Series



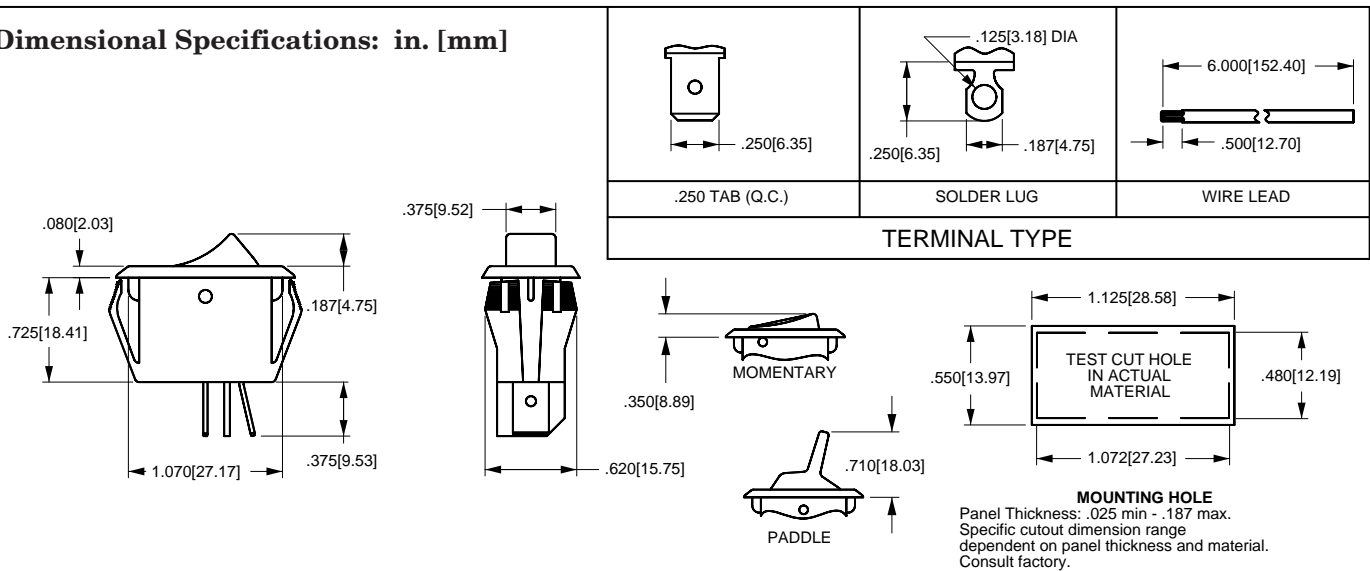
The R-Series Curvette single pole miniature snap-in rocker switches are available with momentary, rocker, paddle & Visi-Rocker type actuators. These aesthetically pleasing switches are compatible with a range of standard panel cutouts. Electrical ratings, with international approvals, are available up to 16 amps.

Specifications

- Certifications*: UL, CSA, VDE, TUV, SEMKO, DEMKO, NEMKO, FIMKO, SEV and BEAB
- Dielectric Strength: 1,000 V (minimum)
- Insulation Resistance: 100 Megohms (minimum)
- Base Material: Nylon
- Actuator Material: Polyester or Nylon

* Due to ongoing technological advances, consult factory for certification specifics.

Dimensional Specifications: in. [mm]



R A 91 1 - V B - B - 0 - V

SERIES	RATING¹	TERMINATION	BASE COLOR²	COLOR OF MOLDED-IN LEGEND AND/OR VISI-ROCKER END²
R SINGLE POLE	20 10A 250VAC 16A 125VAC 3/4HP 125-250VAC	0 SOLDER LUG 1 .250TAB (QC) 5 WIRE LEAD	B BLACK W WHITE	N NOT APPLICABLE B BLACK V VISI-RED W WHITE
CIRCUIT	21 10A 250 VAC 16A 125VAC	ACTUATOR STYLE	ROCKER FACE LEGEND	INK TRANSFER STAMP⁴
A OFF-NONE-ON B ON-NONE-ON C ON-OFF-ON Available w/ratings 21, 23, 58, & 91 only	22 8A 250VAC 12A 125VAC 1/2HP 125-250VAC	M MOMENTARY R ROCKER P PADDLE R ROCKER V TWO COLOR V VISI-ROCKER	0 NO LEGEND 1 OFF-ON (VERTICAL) 2 OFF-ON (HORIZONTAL) 8 O-I (HORIZONTAL) 9 O-I (VERTICAL) ON-OFF (VERTICAL) ON-OFF (HORIZONTAL) DUAL LEGEND: OFF O-I ON (VERTICAL)	0 A B D E F G H
D OFF-NONE-(ON) Available w/rating 22 only	23 10A 250VAC 16A 125VAC 1/2HP 125-250VAC	ACTUATOR COLOR²		
AD OFF-NONE-ON Double Insulation	58 5A 277VAC 10A 125VAC 10A 30V 8A 14VT	B BLACK W WHITE		
BD ON-NONE-ON Double Insulation	90 10A 250VAC 16A 125VAC 3/4HP 125-250VAC			
CD ON-OFF-ON Double Insulation Available w/ratings 21 and 58 only	91 10A 250VAC 16A 125VAC 10(4)A 250VAC μ T85 10(4)A 250VAC μ T85			

NOTES:
Shading indicates standard configurations.
Panel Cut-Out Recommendations: For sheet metal panels, switch must enter panel in same direction as the punch. (Burr on bottom.) Test cut hole in actual material.

1 Rating 22 must use circuit D only and momentary rocker.
2 Matte finish is standard. Custom colors are available. Consult factory.
3 Molded-in Legend available only with Visi-Rocker option.
4 White is standard with dark actuators; black is standard with light actuators.